

⑫ **EUROPEAN PATENT APPLICATION**

⑬ Application number: 88119780.0

⑭ Int. Cl.⁵ G01N 33/53 , B01L 3/00

⑮ Date of filing: 28.11.88

⑯ Priority: 29.12.87 US 138263

⑰ Applicant: **ABBOTT LABORATORIES**

⑱ Date of publication of application:
28.06.89 Bulletin 89/25

Abbott Park Illinois 60064(US)

⑳ Designated Contracting States:
AT BE CH DE ES FR GB IT LI NL

㉑ Inventor: **Parsons, Robert G.**
1921 Wickham Court
Green Oak Illinois 60048(US)

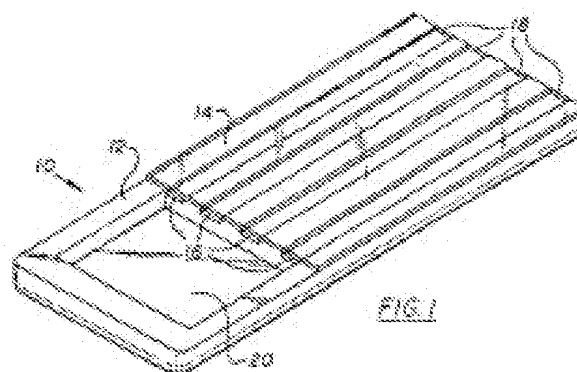
㉒ Date of deferred publication of the search report:
14.03.90 Bulletin 90/11

Inventor: **Kowal, Robert**
15714 Birchwood Lane
Libertyville Illinois 60048(US)
Inventor: **Houseman, Kenneth Russell**
1520 South Main Street
Racine Wisconsin 53402(US)
Inventor: **O'Connell, Michael B.**
1820 Hyde Park Avenue
Waukegan Illinois 60085(US)

㉓ Representative: **Modiano, Guido et al**
MODIANO, JOSIF, PISANTY & STAUB
Modiano & Associati Biederstrasse 3
D-8000 München 5(DE)

⑳ **Agglutination reaction device.**

㉔ An agglutination reaction device for performing agglutination immunoassay reactions comprising a first hydrophilic surface and a parallel second surface wherein the first surface has channels such that when the first and second surface are brought into contact with each other an agglutination reaction chamber is formed for conducting fluid by capillary action. The agglutination reaction device can additionally include a sample receiving well contiguous with the ingress of the chamber formed by the first and second surfaces. Also, the chambers have means for controlling the flow of fluid and a pre-determined amount of reagent dispersed in them for performing an assay.



EP 0 321 736 A3



DOCUMENTS CONSIDERED TO BE RELEVANT			
Category	Citation of document with indication, where appropriate, of relevant passages	Relevant to claim	CLASSIFICATION OF THE APPLICATION (Int. Cl. 4)
X	EP-A-0 212 314 (BIOTRACK INC.) * Abstract; figure 28; claims 6,7; pages 4,5; page 8, lines 32-36; page 14, lines 14-30; pages 29; page 31, lines 23-38 *	1-4, 10, 11	G 01 N 33/53 B 01 L 3/00
X	EP-A-0 215 419 (MILES LABORATORIES INC.) * Abstract; page 24, line 12 - page 25, line 5 *	3, 4	
X	EP-A-0 010 456 (EASTMAN KODAK CO.) * Figure 2; page 8, lines 20-31 *	3, 4	
A	DE-A-3 022 940 (OLYMPUS OPTICAL) * Claims; figures 6,7 *	2, 3	
A	DE-A-3 438 245 (OLYMPUS OPTICAL) * Abstract; figure 6; claims *	2, 3	
			TECHNICAL FIELDS SEARCHED (Int. Cl. 4)
			G 01 N B 01 L
The present search report has been drawn up for all claims			
Place of search THE HAGUE		Date of completion of the search 28-11-1989	Searcher MEYLAERTS H.
CATEGORY OF CITED DOCUMENTS		F : theory or principle underlying the invention E : earlier patent document, but published on, or after the filing date A : document cited in the application I : document cited for other reasons X : particularly relevant if taken alone Y : particularly relevant if combined with another document of the same category A : technological background O : oral-written disclosure I* : intermediate document & : member of the same patent family, corresponding document	

EP 88 11 9780 (P. 01/89)